

MIDNITE SOLAR INC.  
**BATTERY ENCLOSURES**

*MidNite Solar has the enclosures you need for your sealed AGM or Gel battery bank.*

MidNite Solar offers indoor gray steel powder coated battery enclosures in a number of sizes. All include locking doors. The MNBE-D3R and 8D2x2 outdoor enclosures are aluminum for long life.



**MNBE-A**  
 29W x 14.5D x 28H  
 2 8D  
 Stack 2 cabinets vertical for 4 quantity 8 D's  
 4 Group 31 end to end  
 6 Group 32 side by side  
 Type 1  
 ETL Listed

**MNBE-C (3 shelf)**  
 34W x 15.25D x 55H  
 12 Golf Cart  
 12 Group 31  
 12 GVX3050 Concorde  
 2 shelf for 8 L16's  
 4 shelf for four 8D's  
 Type 1  
 ETL Listed



**MNBE-8D2x2**

Battery Enclosure with locking door and one shelf. This outdoor enclosure has powder coated aluminum and stainless steel construction. Holds four 8D batteries. It has spaces for up to 4 MNDC panel mount breakers (1 to 100A) and a 250A battery disconnect breaker. Deluxe version comes with 250A breaker and four 4/0 interconnect cables. The MNBE-8D2x2 series of enclosures are type 1 built to 3R (outdoor) specifications.



MNBE-8D2x2 Standard and Deluxe Models:  
 28 1/8W x 26 1/8D x 36H  
 Wt. - Standard 90 LB.  
 Wt. - Deluxe 91 LB.  
 Type 1

**MNBE-C8D (4 shelf)**

Battery Enclosure with locking door and four shelves. Holds four 8D batteries. Gray powder coated steel. Same dimensions as the MNBE-C. Type 1

**MNBE-CL16 (2 shelf)**

Battery Enclosure with locking door and two shelves. Holds eight sealed L-16 batteries. Gray powder coated steel. Same dimensions as the MNBE-C. Type 1

**NOTE: The MNBE-C8D and MNBE-CL16 have the same dimensions with different shelf configurations.**

**MNBE-8D2x2 Deluxe**

Same as the regular but also includes 250A battery breaker and 4/0 interconnecting cables. Type 1



**MNBE-D**  
 8 GVX3050 (2 shelf)  
 8 Golf Cart (2 shelf)  
 8 Group 31 (2 shelf)  
 12 Golf Cart (3 shelf)  
 12 Group 31 (3 shelf)

Size: 34W x 15.25D x 41.14H  
 Shown with 8 GVX3050. Will fit 8 sealed L16 batteries with 3" head room. Two shelves standard. Ships knocked down in two boxes. Type 1

**MNSHELF**

Extra shelf for MNBE-C and MNBE-D  
 Shelf size: 32L x 12.75W x 1D



**BATTERY ENCLOSURE KEY**  
 Battery Enclosure Key works with all MidNite Solar battery enclosures.

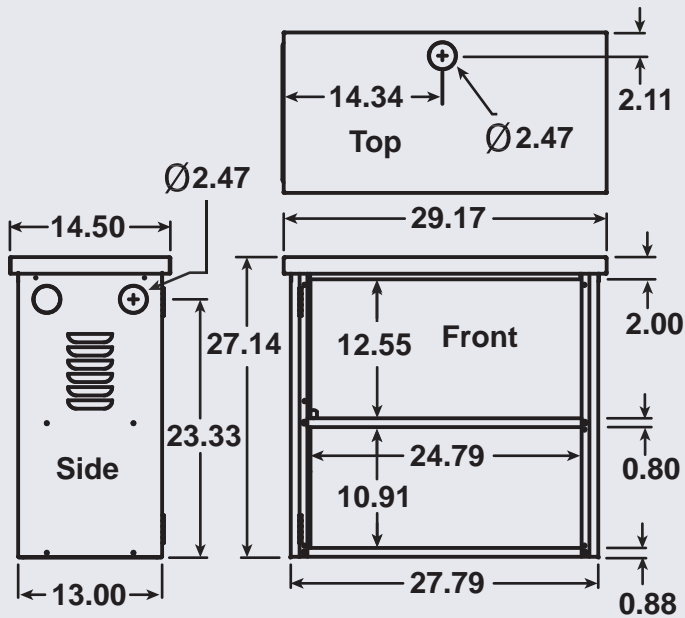
**MNBE-D3R**

Rain tight white powder coated aluminum battery enclosure with locking door and two shelves. This unit is vented. MNBE-D3R holds 8 PVX3050T or 8 golf cart or 8 group 31 batteries. The MNBE-D3R enclosure is type 1 built to 3R (outdoor) specifications.

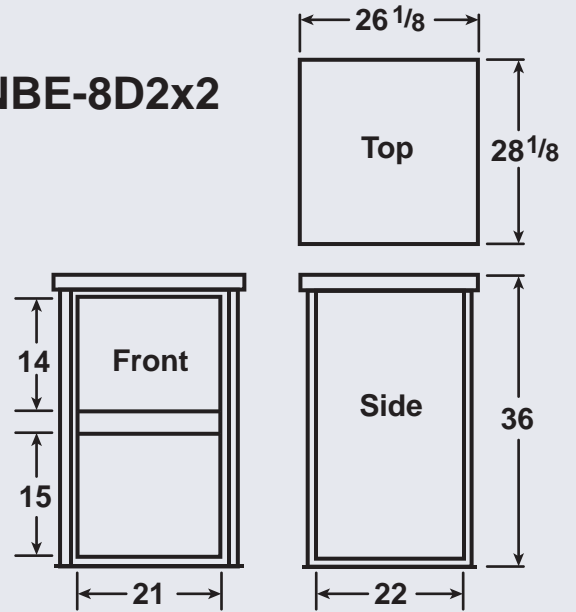
**NOTE: The MNBE-D3R has the same dimensions as the MNBE-D.**

# Battery Enclosures

## MNBE-A

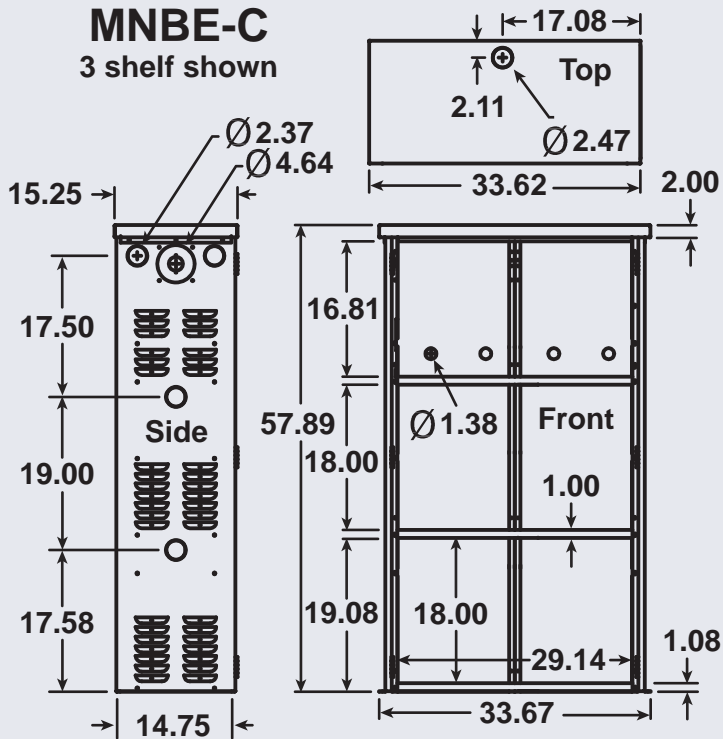


## MNBE-8D2x2

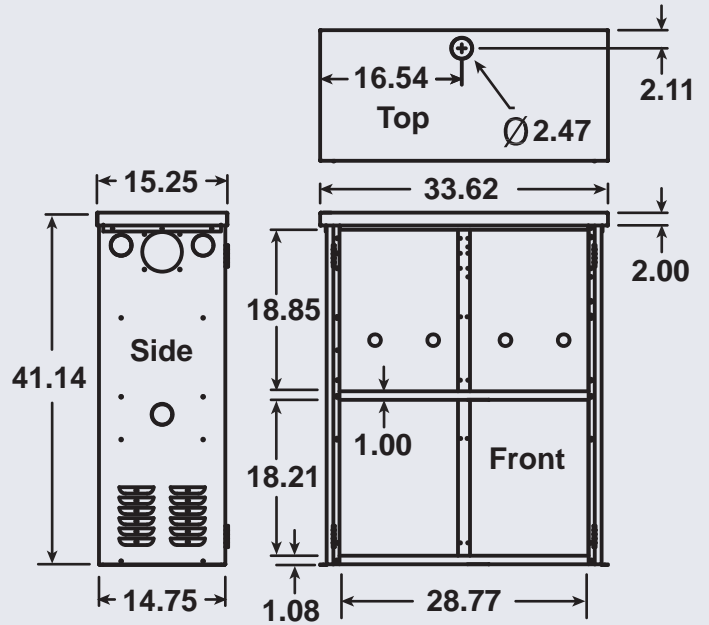


## MNBE-C

3 shelf shown



## MNBE-D 2 shelf shown



## SHELF SIZES

MNBE-A, MNBE-C & MNBE-D

32"L x 12.75"W

MNBE-8D2X2

26"L x 22"W



ETL Listed for US & Canada

17722—67th Ave NE, Unit C, Arlington WA 98223

Ph 360.403.7207 Fax 360.691.6862

<http://www.midnitesolar.com>

